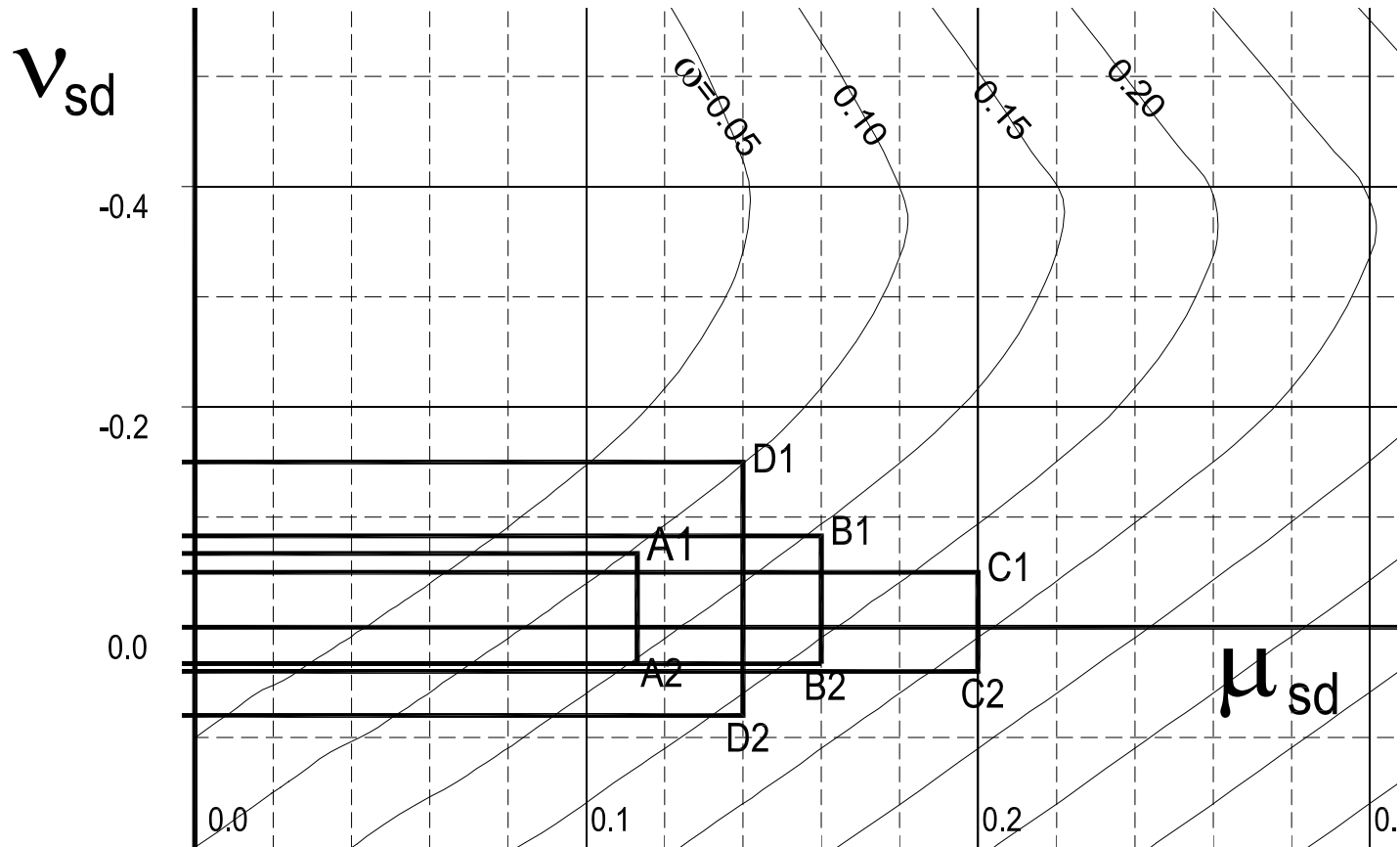


Grupa A

b	30 cm	f_{ck}	30 Mpa
h	50 cm	f_{cd}	20 Mpa
d_1, d_2	5 cm	f_{yk}	500 Mpa
d_1/h	0.1 cm	f_{yd}	434.80 Mpa

- (1)**
- M_{sd} 170.0 kNm
 - N_{sd} -200.0 kN
 - M_{sds} 120.2 kNm
 - μ_{sd} 0.113
 - v_{sd} -0.067
 - ω 0.10
 - A_{s1} 6.90 cm²
 - A_{s2} 6.90 cm²

- (2)**
- M_{sd} 170.0 kNm
 - N_{sd} 100.0 kN
 - M_{sds} 194.9 kNm
 - μ_{sd} 0.113
 - v_{sd} 0.033
 - ω 0.15
 - A_{s1} 10.35
 - A_{s2} 10.35



Grupa B

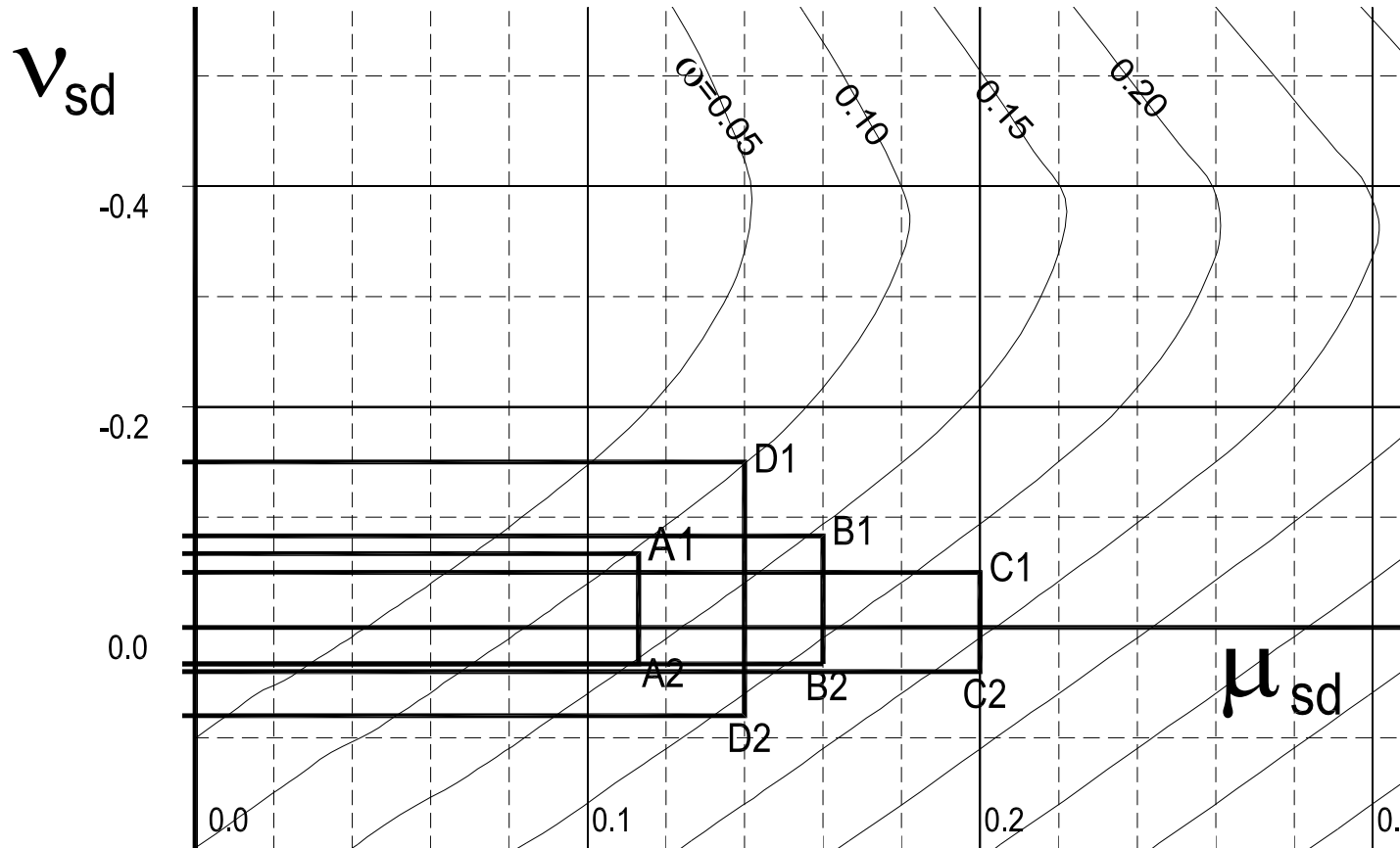
b	30 cm	f_{ck}	30 Mpa
h	50 cm	f_{cd}	20 Mpa
d_1, d_2	5 cm	f_{yk}	500 Mpa
d_1/h	0.1	f_{yd}	434.80 Mpa

(1)

M_{sd}	240.0 kNm
N_{sd}	-250.0 kN
M_{sds}	177.8 kNm
μ_{sd}	0.160
v_{sd}	-0.083
ω	0.16
A_{s1}	10.69 cm ²
A_{s2}	10.69 cm ²

(2)

M_{sd}	240.0 kNm
N_{sd}	100.0 kN
M_{sds}	264.9 kNm
μ_{sd}	0.160
v_{sd}	0.033
ω	0.21
A_{s1}	14.49
A_{s2}	14.49



Grupa **C**

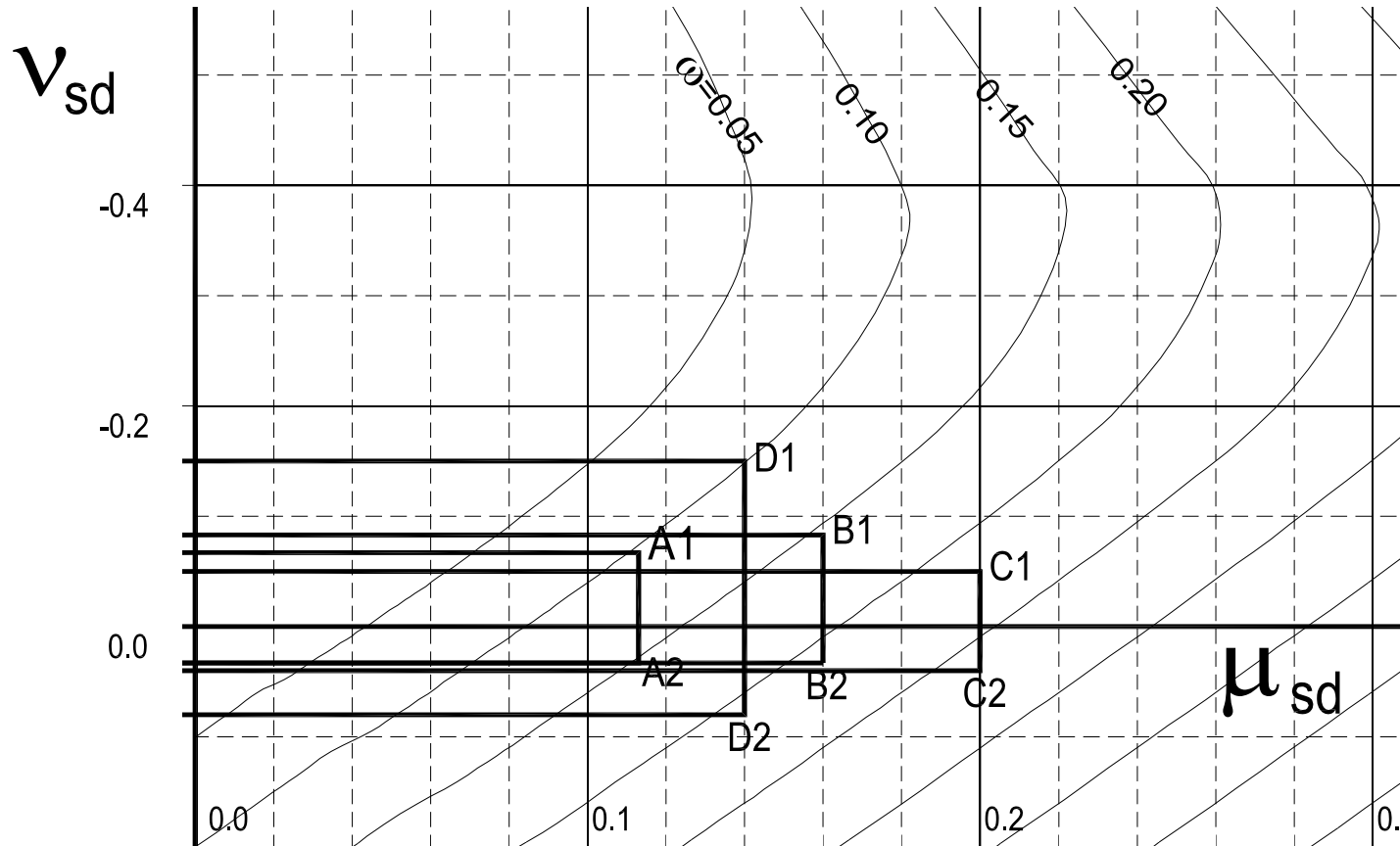
b	30 cm	f_{ck}	30 Mpa
h	50 cm	f_{cd}	20 Mpa
d_1, d_2	5 cm	f_{yk}	500 Mpa
d_1/h	0.1 cm	f_{yd}	434.80 Mpa

(1)

M_{sd}	300.0 kNm
N_{sd}	-150.0 kN
M_{sds}	262.7 kNm
μ_{sd}	0.200
v_{sd}	-0.050
ω	0.22
A_{s1}	15.18 cm ²
A_{s2}	15.18 cm ²

(2)

M_{sd}	300.0 kNm
N_{sd}	120.0 kN
M_{sds}	329.9 kNm
μ_{sd}	0.200
v_{sd}	0.040
ω	0.27
A_{s1}	18.28
A_{s2}	18.28



Grupa **D**

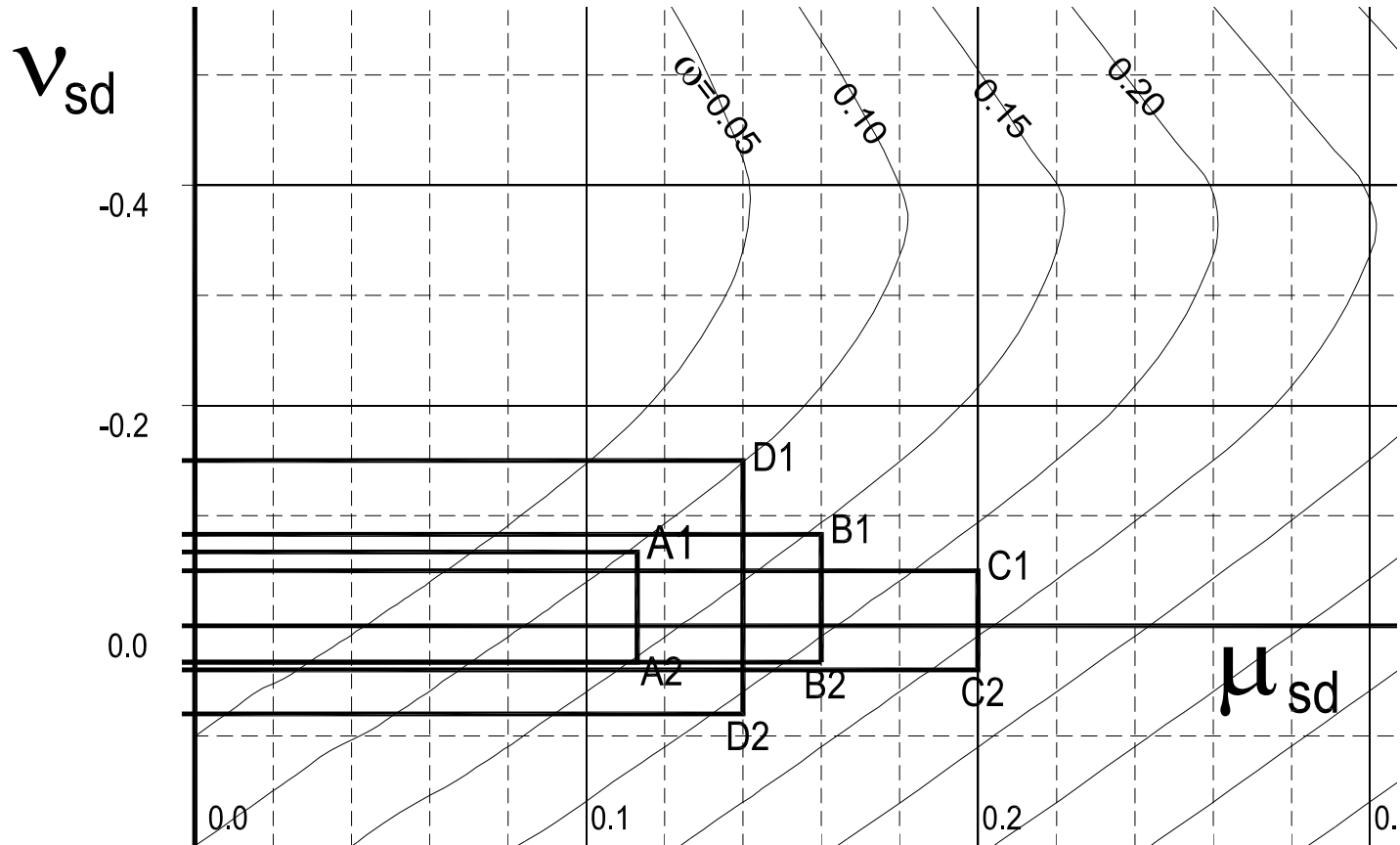
b	30 cm	f_{ck}	30 Mpa
h	50 cm	f_{cd}	20 Mpa
d_1, d_2	5 cm	f_{yk}	500 Mpa
d_1/h	0.1	f_{yd}	434.80 Mpa

(1)

M_{sd}	210.0 kNm
N_{sd}	-450.0 kN
M_{sds}	98.0 kNm
μ_{sd}	0.140
v_{sd}	-0.150
ω	0.10
A_{s1}	6.90 cm ²
A_{s2}	6.90 cm ²

(2)

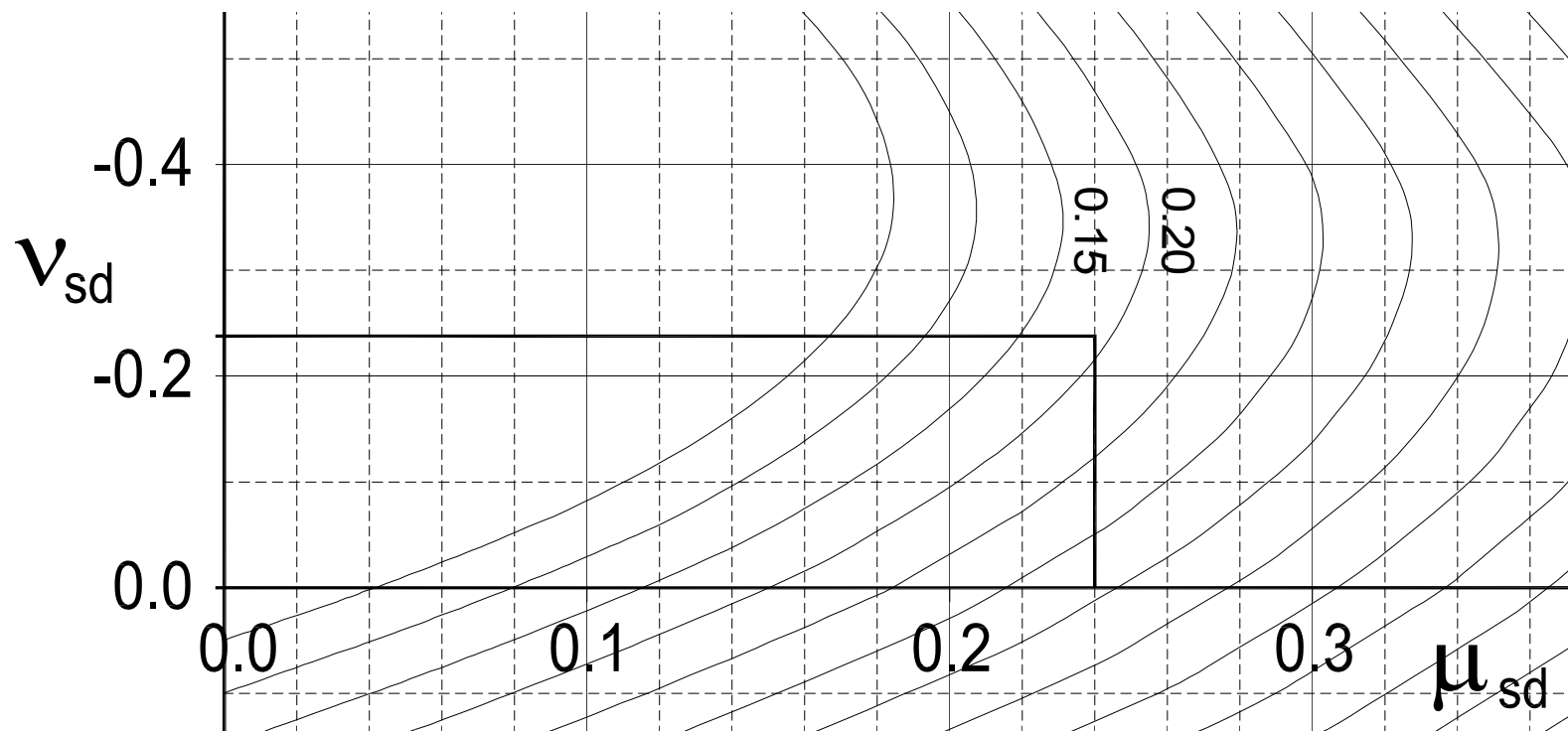
M_{sd}	300.0 kNm
N_{sd}	240.0 kN
M_{sds}	359.8 kNm
μ_{sd}	0.200
v_{sd}	0.080
ω	0.21
A_{s1}	14.49
A_{s2}	14.49



Sve Grupe - Krug

Zadatak 1

r	40 cm	f_{ck}	20 Mpa	M_{sd}	805.0 kNm	μ_{sd}	0.240
d	80 cm	f_{cd}	16.7 Mpa	N_{sd}	-2000.0 kN	v_{sd}	-0.238
r_s	34 cm	f_{yk}	500 Mpa	M_{sds}	22.0 kNm	ω	0.19
d_1/h	0.85	f_{yd}	434.80 Mpa			A_{s1}	36.68 cm ²
A_c	5026.5 cm ²					A_{s2}	36.68 cm ²
						12Ø20	37.70 cm ²



Koso savijanje

b	50 cm	f_{ck}	30 Mpa
h	50 cm	f_{cd}	20 Mpa
d_1, d_2	5 cm	f_{yk}	500 Mpa
d_1/h	0.1 cm	f_{yd}	434.80 Mpa

M_{sdy}	375.0 kNm
M_{sdz}	250.0 kNm
N_{sd}	-2000.0 kN
μ_{sdy}	0.150 μ_1
μ_{sdz}	0.100 μ_2
v_{sd}	-0.400
ω	0.33
A_{s1}	37.95 cm ²
A_{sk}	9.49 cm ²
3Ø20	9.42 cm ²

